

ESL58509 Micro Centrifuge

Unique Features

- Special multi-flow air cooling design with patent ensures fast cooling of the rotor and low energy consumption
- Temperature display appropriate for gentle handling of sensitive samples
- Three-layer sealed rotor prevents accidental leakage during centrifugal process allowing risk-free microbial contamination
- High strength aluminum alloy rotor can be fully autoclaved for unlimited service life
- Four rotors are optional complete with 24 places 1.5/2.0mL tubes, bigger 5.0mL, smaller 0.2mL and 0.5mL tubes with adapters

Micro Centrifuge



ESL58510 Refrigerated Micro Centrifuge

Powerful cooling system for precise temperature control

- Pre-cooling program ensures optimal protection of the sample before warming
- Guaranteed 4°C cooling within only 7 minutes of both chamber and samples even at maximum speed and capacity utilization
- Sound-alert allows your undivided attention on other tasks warming
- Lid lock facility allows for internal temperature maintenance even after centrifugation
- Intermittent temperature control mode, CFC-free refrigerant and low carbon life rotor capacity
- Three-layer sealed rotor prevents accidental leakage during centrifugal process allowing risk-free microbial contamination
- High strength aluminum alloy rotor can be fully autoclaved for unlimited service life
- Four rotors are optional complete with 24 place 1.5/2.0mL tubes, bigger 5.0mL, smaller 0.2mL and 0.5mL tubes with the use of adapters
- Quiet running, noise level ≤ 54dB

Micro Centrifuge



Brushless DC motor



Wide range of rotors



CE FC



CE FC

Specifications

	ESL58509	ESL58510
Max. Speed	15000rpm(200-15000rpm), increment:10rpm	15000rpm(200-15000rpm), increment:10rpm
Max. RCF	21380xg, increment:10xg	21380xg, increment: 10xg
Speed Accuracy	±20 rpm	±20 rpm
Temperature Range	-	-20°C-40°C
Rotor Capacity	5mLx18, 5mL culture tubex12 0.2mL/0.5mL/1.5mL/ 2mLx24, 0.5mLx36, PCR8x4	5mLx18, 5mL culture tubex12 0.2mL/0.5mL/1.5mL/ 2mLx24, 0.5mLx36, PCR8x4
Run Time	30sec-99min/Continuous	30sec-99min/Continuous
Motor	Brushless DC motor	Brushless DC motor
Safety Devices	Dual door interlock, Over-speed detection, Automatic internal diagnosis	Dual door interlock, Over-speed detection, Over-temperature detection, Automatic internal diagnosis
Power	Single-phase, AC200V-400V, 50Hz/60Hz, 5A, AC100V-120V, 50Hz/60Hz, 8A 200W	Single-phase, AC200V-240V, 50Hz/60Hz, 10A, AC100V-120V, 50Hz/60Hz, 10A 400W
Acceleration /Braking time [Sec]	25s ↑ 25s ↓	25s ↑ 25s ↓
Dimension[WxDxH]	280x364x266mm	338x580x324mm
Weight	12kg	30kg
Certification	CE cTUVus FCC MCA	CE cTUVus FCC MCA
Advanced Features	Speed/RCF switch; Short-time run function; sound-alert function	Speed/RCF switch; Short-time run function; sound-alert function
Noise Level	≤64dB	≤56dB

Labware





Micro Centrifuge

Rotor Features

Fully autoclavable

High strength aluminum alloy rotors are fully autoclavable, withstanding steam sterilizing at 121°C for 20 minutes, with unlimited service life.

Bio-safety

Aspired to be the top-of-the-line model, ES3024 & ES3024R rotors are designed to prevent sample leakage. Each and every rotor is hermetically sealed by three rubber seals.

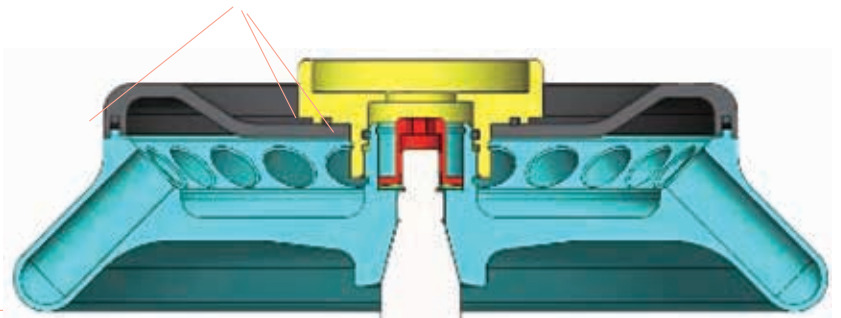
Mechanical safety

ES centrifuges are constructed under MCA conditions according to IEC/EN61010-2-20, causing disruption by partially cutting and overloading rotor assembly, and guarantee that no part shall be detached to cause danger to person or the environment.

ES rotors are manufactured from military-industrial grade aluminum alloy with high mechanical strength for precise running and safety (excludes ES2012 plus rotor)

- Every rotor can reach a max. speed of 15000rpm
- Rotors are seated on a tapered shaft, concentric and self-aligning, perfect to achieve running stability at high speeds
- ES3024&ES3024R with bio-safety rotors/anti- sample overflow prevents accidental leakage and risk free centrifugal process
- microbial contamination. ES3024&ES3024R rotors have passed MCA test according to IEC/EN61010-2-20, including mechanical safety and bio-safety tests
- High strength aluminum alloy rotors are fully autoclavable and provide unlimited service life (ES2012 plus rotor not included)
- Powerful cooling system minimizes rotor heating. ES3024 rotors heat up to > 10°C and D2012 rotors less than 8°C after running an hour

Three rubber seals fitted to achieve bio-safe condition



Seals within the aluminum alloy rotor



Micro Centrifuge | Rotors and Adapters

Available rotors



ES24-2

for ES3024 & ES3024R

Max. speed: 15000rpm
 Max. RCF: 21380xg
 Rotor capacity: 2mL/1.5mLx24/0.2mLx24/0.5mLx24
 Rotor material: Aluminum alloy
 Bio-safe(Bio sealing): Yes
 Available rotor adapters: A02P2,A05P2



ES12-V5

for ES3024 & ES3024R

Max. speed: 15000rpm
 Max. RCF: 21380xg
 Rotor capacity: 5mLx12(Eppendorf tube)
 Rotor material: Aluminum alloy
 Bio-safe(Bio sealing): Yes



ES36-05

for ES3024 & ES3024R

Max. speed: 15000rpm
 Max. RCF: 21380xg
 Rotor capacity: 0.5mLx36,0.2mLx36
 Rotor material: Aluminum alloy
 Bio-safe(Bio sealing): Yes
 Available rotor adapters: A02P05



ESS4-PCR8

for ES3024 & ES3024R

Max. speed: 15000rpm
 Max. RCF: 21380xg
 Rotor capacity:0.2mL/PCR8x4
 Rotor material: Aluminum alloy
 Bio-safe(Bio sealing): Yes



Micro Centrifuge | Rotors and Adapters



ES18-5

for ES3024 & ES3024R

Max. speed :15000rpm
 Max. RCF:21380xg
 Rotor capacity:5mLx18 (Round-Botton tube)
 Rotor material:Aluminum alloy
 Bio-safe(Bio sealing):Yes

Available adapters



ES02P2

0.2mL rotor adapter
 Used with ES12-2, ES12-2P, ES24-2 and ES24-2P
 rotors 24pcs/pk



ES05P2

0.5mL rotor adapter
 Used with ES12-2, ES12-2P, ES24-2 and ES24-2P
 rotors 24pcs/pk



ES02P05

0.2mL rotor adapter
 Used with ES36-05 rotor
 36pcs/pk

